

SPECIFICATION OF WCM-4532AUTO SERIES

FEATURES

- For Automotive wire wound common mode choke coil
- Effective for EMI suppression of common mode noise emission.
- Compatible with RoHS Directive and AEC-Q200
- Compatible with Automotive required operating temperature
-40 to +125°C



APPLICATIONS

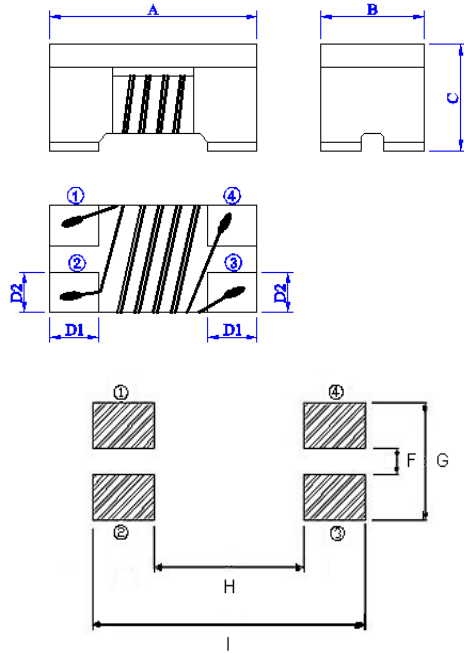
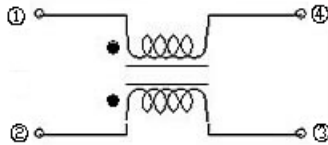
- Preventive measure against high speed signal radiation emission such as CAN-Bus
- Fax, Modem, ISDNs... etc

ORDERING CODE

WCM-4532AUTO-101YT

(1) (2) (3) (4) (5)

- (1) PRODUCT TYPE CODE
- (2) PRODUCT SIZE & DESIGN CODE
- (3) INDUCTANCE CODE
- (4) TOLERANCE
- (5) TAPING CODE



APPEARANCE & DIMENSIONS

UNIT:mm (inch)

SIZE CODE	A	B	C	D1 TYP	D2 TYP	F TYP	G TYP	H TYP	I TYP		
WCM-4532 (1812)	4.50±0.20 (0.177±0.008)	3.20±0.20 (0.126±0.008)	2.80+0.35(-0.2) (0.110±0.008)	1.00 (0.039)	1.20 (0.039)	0.40 (0.016)	3.60 (0.141)	2.10 (0.082)	4.90 (0.192)		

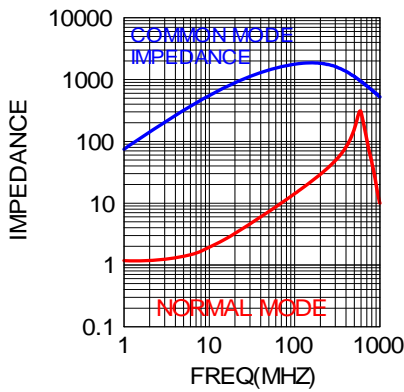
※All the data listed in this catalogue are for reference only, King Core reserves the right to alter or revise the specifications without prior notification.

COMMON MODE CHOKE → WCM-4532AUTO SERIES

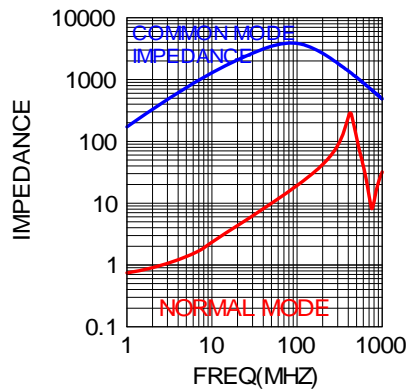
ELECTRICAL CHARACTERISTICS

ORDERING CODE	INDUCTANCE	IMPEDANCE	DC Resistance	Rated Current	Rated Voltage	Insulation Resistance
	(μ H) 100KHz/100mV	(Ω)TYP 10MHz	(Ω) max	(mA) max	V (DC)	
WCM-4532AUTO-110YT	11+50(-30)%	600	0.6	250	50	10
WCM-4532AUTO-220YT	22+50(-30)%	1200	1.0	200	50	10
WCM-4532AUTO-510YT	51+50(-30)%	2800	1.0	200	50	10
WCM-4532AUTO-101YT	100+50(-30)%	5800	2.0	150	50	10

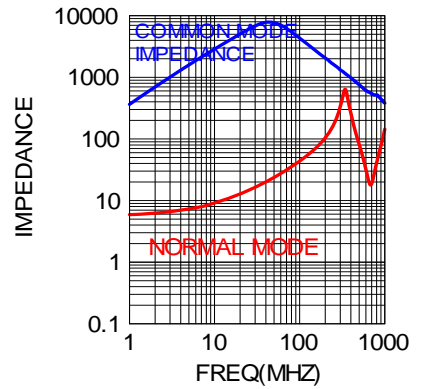
WCM-4532AUTO-110YT



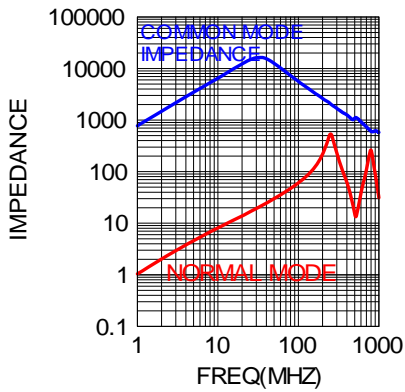
WCM-4532AUTO-220YT



WCM-4532AUTO-510YT



WCM-4532AUTO-101YT



※Operating temperature range : -40 to +125°C (including self-generated heat)

*** Design as Customer's Requested Specifications.**

※All the data listed in this catalogue are for reference only, King Core reserves the right to alter or revise the specifications without prior notification.