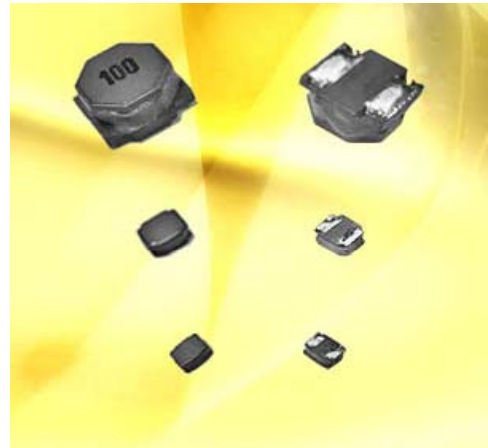


# SPECIFICATION OF BSF3015BNRM SERIES

## FEATURES

1. Low profile construction and miniature size.
2. Magnetic shielded construction.
3. High current saturation.
4. For new generation portable product D/D converter unit.



## APPLICATIONS

DVD · DSC · PDA · LCD display ·  
Smart phones · HDD · etc.

## ORDERING CODE

BSF3015BNRM 1R0 M T  
(1) (2) (3) (4)

- (1) PRODUCT TYPE CODE AND SIZE CODE  
(2) INDUCTANCE  
(3) INDUCTANCE TOLERANCE ( M : ±20%, N : ±30% )  
(4) REEL TAPING

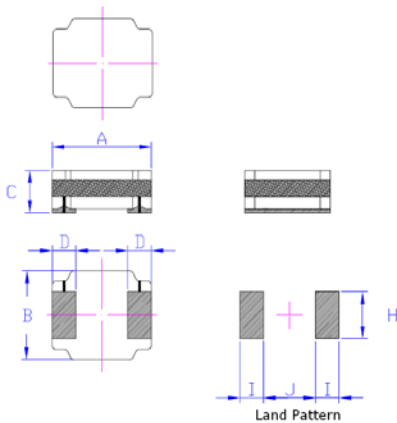


FIG 1

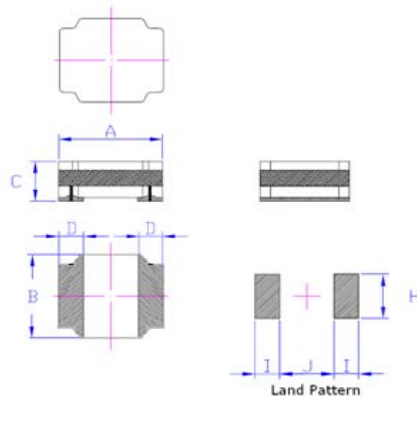


FIG 2

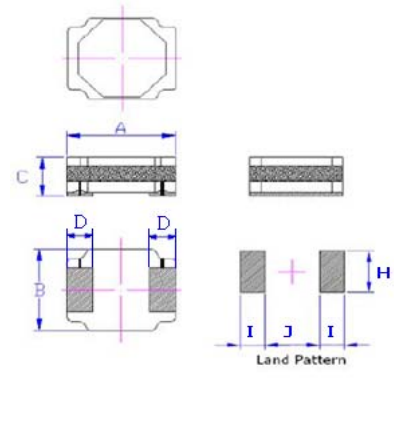


FIG 3

## SHAPE & DIMENSIONS

SIZE CODE	A mm	B mm	C mm	D mm	H	I	J	FIG
BSF2010BNRM	2.0±0.2	1.6±0.2	1.05max	0.6±0.2	1.10	1.00	0.90	1
BSF2512BNRM	2.5±0.2	2.1±0.2	1.25max	0.85±0.20	1.40	0.95	0.90	1
BSF3010BNRM	3.0±0.2	3.0±0.2	1.05max	0.9±0.2	2.90	1.00	1.20	2
BSF3012BNRM	3.0±0.2	3.0±0.2	1.25max	0.9±0.2	2.90	1.00	1.20	2
BSF3015BNRM	3.0±0.2	3.0±0.2	1.55max	0.9±0.2	2.90	1.00	1.20	2
BSF6030BNRM	6.0±0.2	6.0±0.2	3.0±0.2	1.9±0.3	5.70	1.80	2.40	3

※All the data listed in this catalogue are for reference only, King Core reserves the right to alter or revise the specifications without prior notification.

