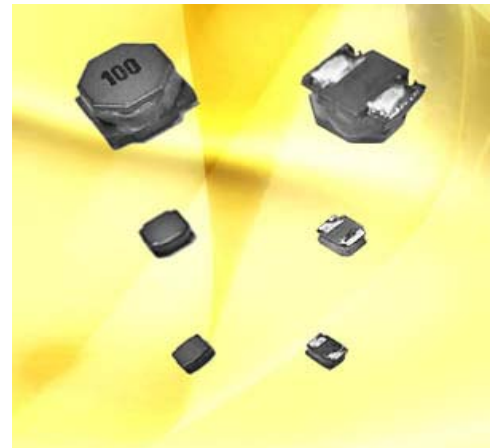


SPECIFICATION OF BSF3012BNRM SERIES

FEATURES

1. Low profile construction and miniature size.
2. Magnetic shielded construction.
3. High current saturation.
4. For new generation portable product D/D converter unit.



APPLICATIONS

DVD · DSC · PDA · LCD display ·
Smart phones · HDD · etc.

ORDERING CODE

BSF3010BNRM R68 M T
(1) (2) (3) (4)

- (1) PRODUCT TYPE CODE AND SIZE CODE
(2) INDUCTANCE
(3) INDUCTANCE TOLERANCE (M : ±20%, N : ±30%)
(4) REEL TAPING

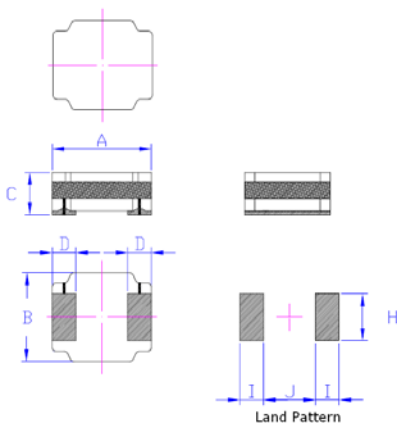


FIG 1

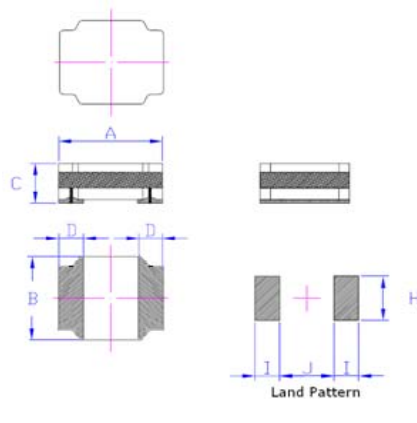


FIG 2

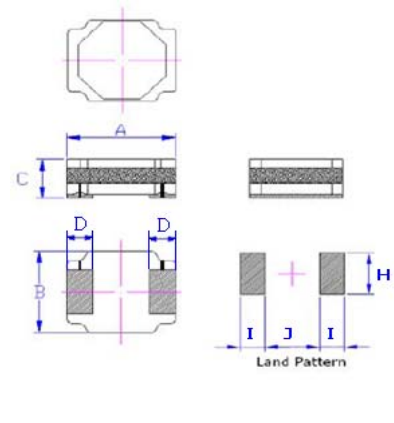


FIG 3

SHAPE & DIMENSIONS

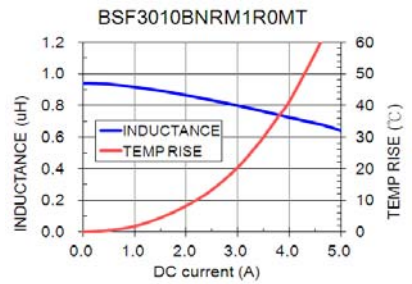
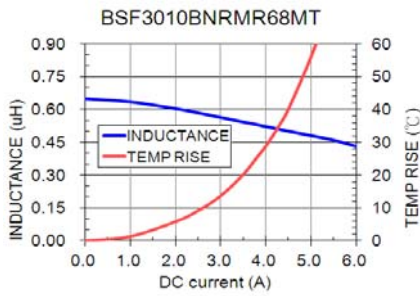
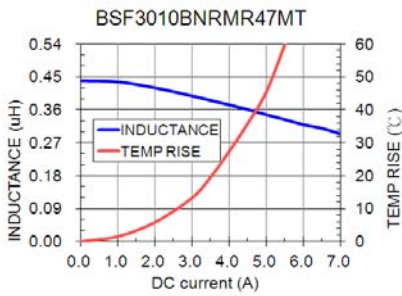
SIZE CODE	A mm	B mm	C mm	D mm	H	I	J	FIG
BSF2010BNRM	2.0±0.2	1.6±0.2	1.05max	0.6±0.2	1.10	1.00	0.90	1
BSF2512BNRM	2.5±0.2	2.1±0.2	1.25max	0.85±0.20	1.40	0.95	0.90	1
BSF3010BNRM	3.0±0.2	3.0±0.2	1.05max	0.9±0.2	2.90	1.00	1.20	2
BSF3012BNRM	3.0±0.2	3.0±0.2	1.25max	0.9±0.2	2.90	1.00	1.20	2
BSF3015BNRM	3.0±0.2	3.0±0.2	1.55max	0.9±0.2	2.90	1.00	1.20	2
BSF6030BNRM	6.0±0.2	6.0±0.2	3.0±0.2	1.9±0.3	5.70	1.80	2.40	3

※All the data listed in this catalogue are for reference only, King Core reserves the right to alter or revise the specifications without prior notification.

SMD POWER INDUCTORS → BSF3010BNRM SERIES

ELECTRICAL CHARACTERISTIC

ORDERING CODE	Inductance (μH)	DC Resistance (mΩ)max	SRF(MHz) min	Isat (A)Typ	IDC (A)Typ
BSF3010BNRMR47MT	0.47	37	75	6.50	4.50
BSF3010BNRMR68MT	0.68	52	65	5.60	4.30
BSF3010BNRM1R0MT	1.00	80	50	4.70	3.80



- ※Test Frequency: 1MHz/0.1V
- ※Tolerance: M±20%
- ※Isat: Based on Inductance decrease 30%
- ※IDC: Based on Temperature increase 40°C
- ※Operating temperature range : -40 to +125°C (including self-heating)
- ※Storage Temp. : -40°C T0+85°C

※All the data listed in this catalogue are for reference only, King Core reserves the right to alter or revise the specifications without prior notification.